

**3D DRAWING**



**NOTES**

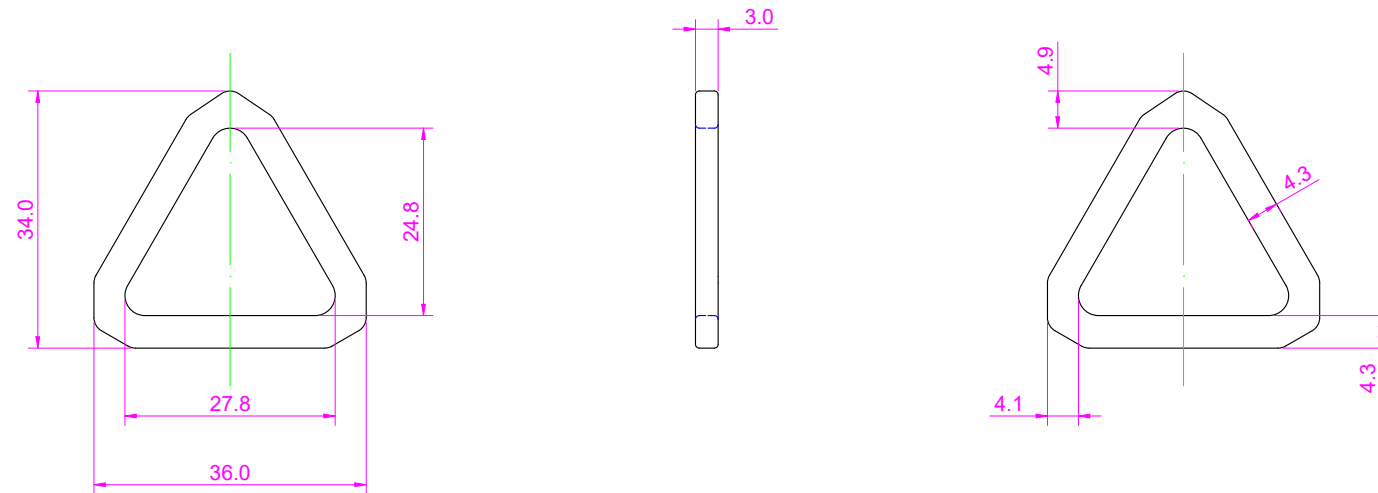
1. BURR OF BRACKET SHOULD BE MINIMIZED.
2. BRACKET SHOULD BE FREE OF SHARP EDGES.
3. UNSPECIFIED RADIUS WOULD BE 0.5MM.
4. IMPORTANT PARTS ARE MARKED BY ASTERISK.
5. SAMPLE APPROVAL IS REQUIRED.

**GENERAL TOLERANCES (mm)**

0 ~ 10	+/- 0.20
11 ~ 25	+/- 0.25
26 ~ 38	+/- 0.30
39 ~ 50	+/- 0.40
OVER 50	+/- 0.50

**INFORMATION**

ITEM NO.	K104 - 20
DESCRIPTION	20MM TRIANGLE RING
MATERIAL	ALU6061 - T6, T = 3.0MM
WEIGHT	2.40g
DATE	06/JUN/2024



**3D DRAWING**



**NOTES**

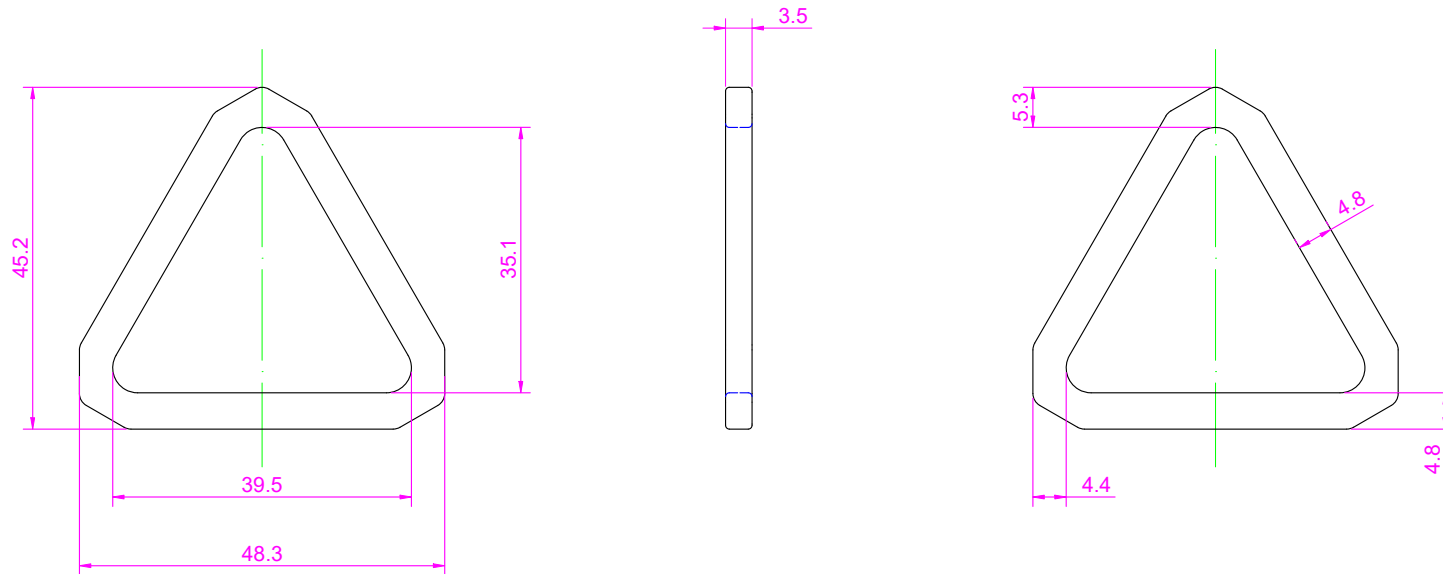
1. BURR OF BRACKET SHOULD BE MINIMIZED.
2. BRACKET SHOULD BE FREE OF SHARP EDGES.
3. UNSPECIFIED RADIUS WOULD BE 0.5MM.
4. IMPORTANT PARTS ARE MARKED BY ASTERISK.
5. SAMPLE APPROVAL IS REQUIRED.

**GENERAL TOLERANCES (mm)**

0 ~ 10	+/- 0.20
11 ~ 25	+/- 0.25
26 ~ 38	+/- 0.30
39 ~ 50	+/- 0.40
OVER 50	+/- 0.50

**INFORMATION**

ITEM NO.	K104 - 25
DESCRIPTION	25MM TRIANGLE RING
MATERIAL	ALU6061 - T6, T = 3.0MM
WEIGHT	2.90g
DATE	06/JUN/2024



**3D DRAWING**



**NOTES**

1. BURR OF BRACKET SHOULD BE MINIMIZED.
2. BRACKET SHOULD BE FREE OF SHARP EDGES.
3. UNSPECIFIED RADIUS WOULD BE 0.5MM.
4. IMPORTANT PARTS ARE MARKED BY ASTERISK.
5. SAMPLE APPROVAL IS REQUIRED.

**GENERAL TOLERANCES (mm)**

0 ~ 10	+/- 0.20
11 ~ 25	+/- 0.25
26 ~ 38	+/- 0.30
39 ~ 50	+/- 0.40
OVER 50	+/- 0.50

**INFORMATION**

ITEM NO.	K104 - 38
DESCRIPTION	38MM TRIANGLE RING
MATERIAL	ALU6061 - T6, T = 3.5MM
WEIGHT	5.90g
DATE	07/MAY/2026