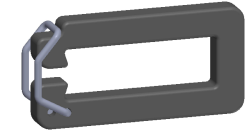
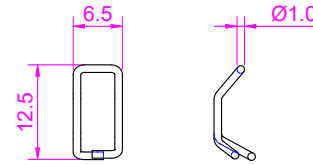
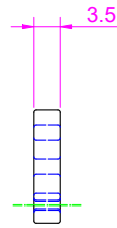
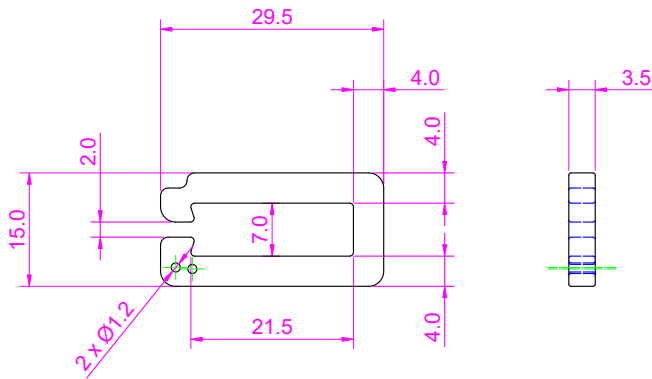


ASSEMBLY VIEW

SACLE 1:1



3D DRAWING



SPRING

NOTES

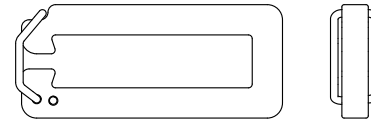
1. BURR OF BRACKET SHOULD BE MINIMIZED.
2. BRACKET SHOULD BE FREE OF SHARP EDGES.
3. UNSPECIFIED RADIUS WOULD BE 0.5MM.
4. IMPORTANT PARTS ARE MARKED BY ASTERISK.
5. SAMPLE APPROVAL IS REQUIRED.

GENERAL TOLERANCES (mm)

0	~ 10	+/- 0.20
11	~ 25	+/- 0.25
26	~ 38	+/- 0.30
39	~ 50	+/- 0.40
OVER 50		+/- 0.50

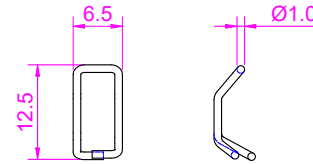
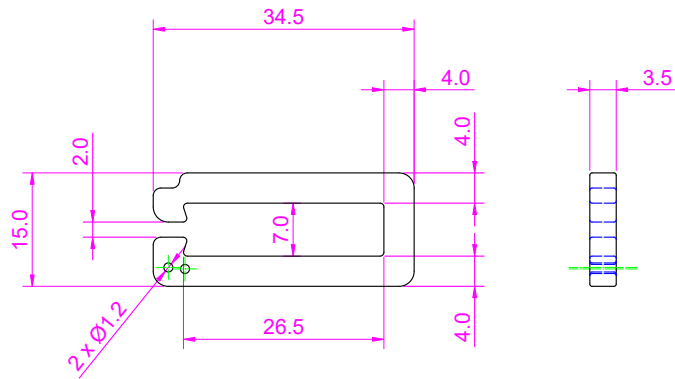
INFORMATION

ITEM NO.	K140 - 20
DESCRIPTION	UNIVERSAL GATE LOOP
MATERIAL	ALU6061 - T6, T = 3.5MM
WEIGHT	2.50g
DATE	30/JAN/2026



ASSEMBLY VIEW

SACLE 1:1



SPRING

3D DRAWING



NOTES

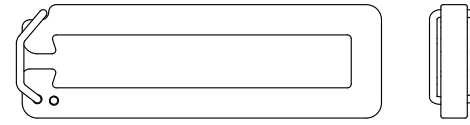
1. BURR OF BRACKET SHOULD BE MINIMIZED.
2. BRACKET SHOULD BE FREE OF SHARP EDGES.
3. UNSPECIFIED RADIUS WOULD BE 0.5MM.
4. IMPORTANT PARTS ARE MARKED BY ASTERISK.
5. SAMPLE APPROVAL IS REQUIRED.

GENERAL TOLERANCES (mm)

0	~ 10	+/- 0.20
11	~ 25	+/- 0.25
26	~ 38	+/- 0.30
39	~ 50	+/- 0.40
OVER 50		+/- 0.50

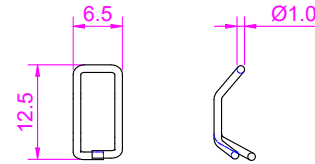
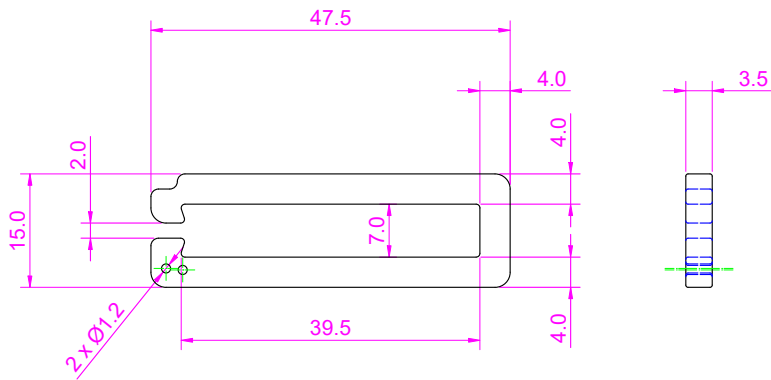
INFORMATION

ITEM NO.	K140 - 25
DESCRIPTION	UNIVERSAL GATE LOOP
MATERIAL	ALU6061 - T6, T = 3.5MM
WEIGHT	3.00g
DATE	30/JAN/2026



ASSEMBLY VIEW

SACLE 1:1



SPRING

3D DRAWING



NOTES

1. BURR OF BRACKET SHOULD BE MINIMIZED.
2. BRACKET SHOULD BE FREE OF SHARP EDGES.
3. UNSPECIFIED RADIUS WOULD BE 0.5MM.
4. IMPORTANT PARTS ARE MARKED BY ASTERISK.
5. SAMPLE APPROVAL IS REQUIRED.

GENERAL TOLERANCES (mm)

0	~ 10	+/- 0.20
11	~ 25	+/- 0.25
26	~ 38	+/- 0.30
39	~ 50	+/- 0.40
OVER 50		+/- 0.50

INFORMATION

ITEM NO.	K140 - 38
DESCRIPTION	UNIVERSAL GATE LOOP
MATERIAL	ALU6061 - T6, T = 3.5MM
WEIGHT	3.80g
DATE	30/JAN/2026