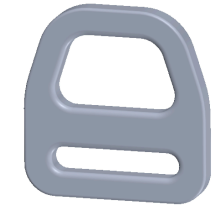


**3D DRAWING**



**NOTES**

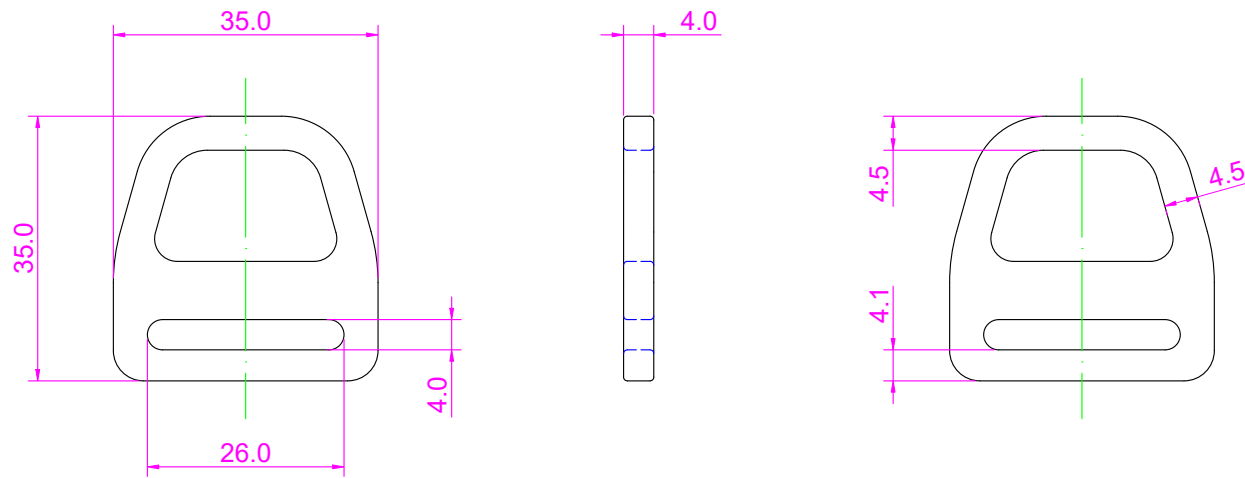
1. BURR OF BRACKET SHOULD BE MINIMIZED.
2. BRACKET SHOULD BE FREE OF SHARP EDGES.
3. UNSPECIFIED RADIUS WOULD BE 0.5MM.
4. IMPORTANT PARTS ARE MARKED BY ASTERISK.
5. SAMPLE APPROVAL IS REQUIRED.

**GENERAL TOLERANCES (mm)**

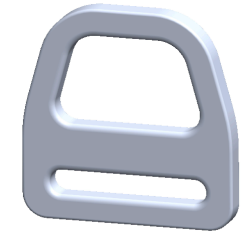
0	~ 10	+/- 0.20
11	~ 25	+/- 0.25
26	~ 38	+/- 0.30
39	~ 50	+/- 0.40
OVER 50		+/- 0.50

**INFORMATION**

ITEM NO.	K120 - 20
DESCRIPTION	MARINER D-RING
MATERIAL	ALU6061 - T6, T = 3.5MM
WEIGHT	5.10g
DATE	07/MAY/2025



**3D DRAWING**



**NOTES**

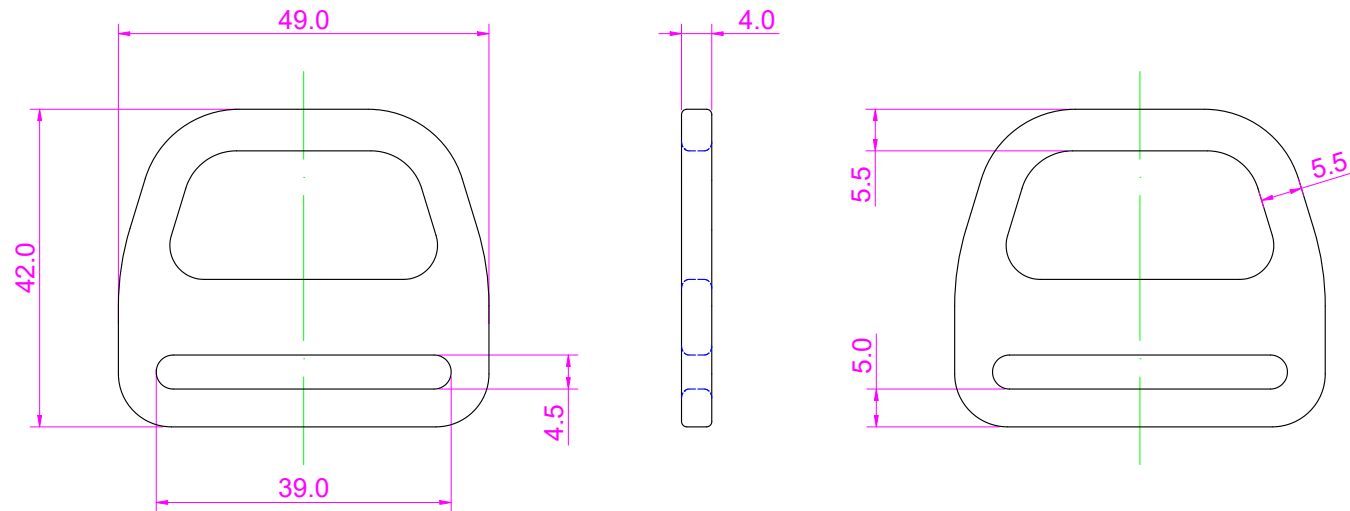
1. BURR OF BRACKET SHOULD BE MINIMIZED.
2. BRACKET SHOULD BE FREE OF SHARP EDGES.
3. UNSPECIFIED RADIUS WOULD BE 0.5MM.
4. IMPORTANT PARTS ARE MARKED BY ASTERISK.
5. SAMPLE APPROVAL IS REQUIRED.

**GENERAL TOLERANCES (mm)**

0	~ 10	+/- 0.20
11	~ 25	+/- 0.25
26	~ 38	+/- 0.30
39	~ 50	+/- 0.40
	OVER 50	+/- 0.50

**INFORMATION**

ITEM NO.	K120 - 25
DESCRIPTION	MARINER D-RING
MATERIAL	ALU6061 - T6, T = 4MM
WEIGHT	6.80g
DATE	26/JUN/2024



**3D DRAWING**



**NOTES**

1. BURR OF BRACKET SHOULD BE MINIMIZED.
2. BRACKET SHOULD BE FREE OF SHARP EDGES.
3. UNSPECIFIED RADIUS WOULD BE 0.5MM.
4. IMPORTANT PARTS ARE MARKED BY ASTERISK.
5. SAMPLE APPROVAL IS REQUIRED.

**GENERAL TOLERANCES (mm)**

0	~ 10	+/- 0.20
11	~ 25	+/- 0.25
26	~ 38	+/- 0.30
39	~ 50	+/- 0.40
OVER 50		+/- 0.50

**INFORMATION**

ITEM NO.	K120 - 38
DESCRIPTION	MARINER D-RING
MATERIAL	ALU6061 - T6, T = 4MM
WEIGHT	12.10g
DATE	07/MAY/2025