

**3D DRAWING**

**H131 - 20R**



**H131 - 20L**



**NOTES**

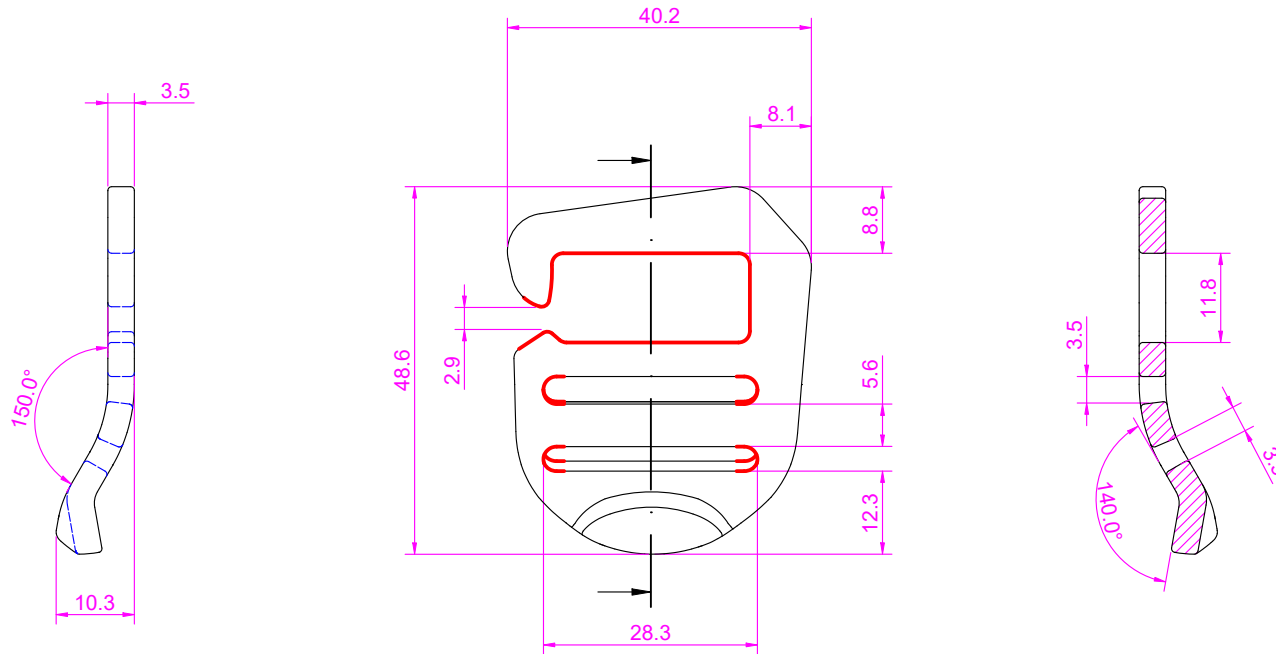
1. BURR OF BRACKET SHOULD BE MINIMIZED.
2. BRACKET SHOULD BE FREE OF SHARP EDGES.
3. UNSPECIFIED RADIUS WOULD BE 0.5MM.
4. IMPORTANT PARTS ARE MARKED BY ASTERISK.
5. SAMPLE APPROVAL IS REQUIRED.


**GENERAL TOLERANCES (mm)**

0	~ 10	+/- 0.20
11	~ 25	+/- 0.25
26	~ 38	+/- 0.30
39	~ 50	+/- 0.40
OVER 50		+/- 0.50

**INFORMATION**

ITEM NO.	H131 - 20
DESCRIPTION	LUNA DUAL HOOK
MATERIAL	ALU6061 - T6, T = 3.0MM
WEIGHT	6.30g
DATE	15/MAY/2024



 **FILLET TREATMENT  
TO AVOID SHARP EDGES**

**3D DRAWING**

**H131 - 25R**



**H131 - 25L**



**NOTES**

1. BURR OF BRACKET SHOULD BE MINIMIZED.
2. BRACKET SHOULD BE FREE OF SHARP EDGES.
3. UNSPECIFIED RADIUS WOULD BE 0.5MM.
4. IMPORTANT PARTS ARE MARKED BY ASTERISK.
5. SAMPLE APPROVAL IS REQUIRED.
6. RED LINE WILL BE APPLIED FILLET TREATMENT.

**GENERAL TOLERANCES (mm)**

0	~ 10	+/- 0.20
11	~ 25	+/- 0.25
26	~ 38	+/- 0.30
39	~ 50	+/- 0.40
OVER 50		+/- 0.50

**INFORMATION**

ITEM NO.	H131 - 25
DESCRIPTION	LUNA DUAL HOOK
MATERIAL	ALU6061 - T6, T = 3.5MM
WEIGHT	10.70g
DATE	25/AUG/2025